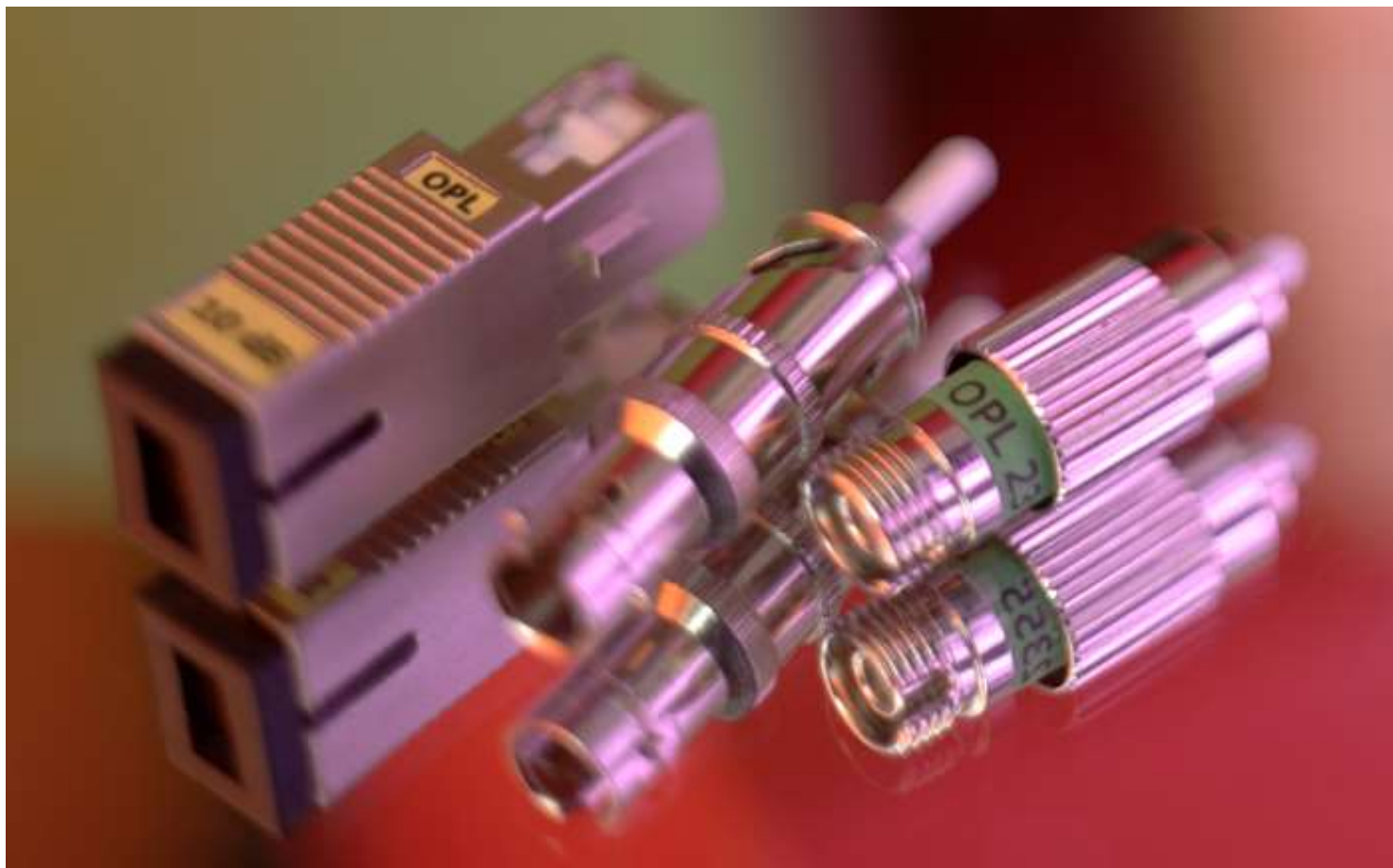
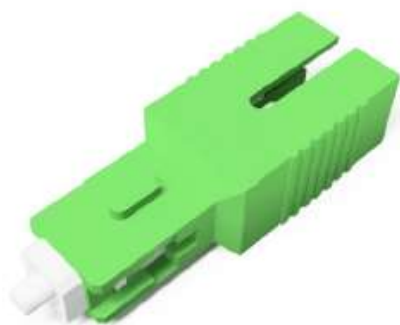


## SC APC Plug-type Reflector 1650 nm



### T E C H N I C A L   S P E C I F I C A T I O N



GREEN RAL 6018



MAGENTA RAL 4010



## G E N E R A L

This specification concerns the requirement of the SC APC Plug-type Reflectors mono-directional (green color) and bi-directional (magenta color) This device allows the signals to reflect the wavelength at  $1650 \pm 5,5$  nm with high stability of the peak of reflection and a minimum influence on pass wavelengths  $1260 \div 1625$ nm.

For mono-directional reflector the input signal is female side, Pass band male side and Reflect band female side.

## O P T I C A L   C H A R A C T E R I S T I C S

	Parameters	Unit	Min.	Typ.	Max.	Remark
1	Pass band wavelength range	nm	1260-1625			
2	Reflect band wavelength range	nm	1644.5-1655.5			
3.1	IL(1260nm-1360nm)	dB			1.0 (100%)	$\leq 0.8$ dB (70%)
3.2	IL(1460nm-1600nm)	dB			1.0 (100%)	$\leq 0.8$ dB (70%)
3.3	IL(1600nm-1625nm)	dB			1.0 (100%)	$\leq 0.8$ dB (70%)
3.4	IL(REFLECT BAND)	dB	25 (100%)	29 (70%)		
4.1	RL(1260nm-1360nm)	dB	32			
4.2	RL(1460nm-1610nm)	dB	32			
4.3	RL(1610nm-1625nm)	dB	25			
4.4	RL(REFLECT BAND) (Note 3)	dB	0		1.0	
5	PDL(1260nm-1600nm)	dB			0.4	Excluding 1360~1460nm
6	Ripple (REFLECT BAND)	dB			0.6	
7	TDL(1260nm-1600nm)	dB			0.5	Excluding 1360~1460nm
8	Max Optical Power Handling	dBm	27			
9	Plug Times		500			
10	Connector	SC/APC Male & SC/APC Female				



# ENVIRONMENTAL SPECIFICATION

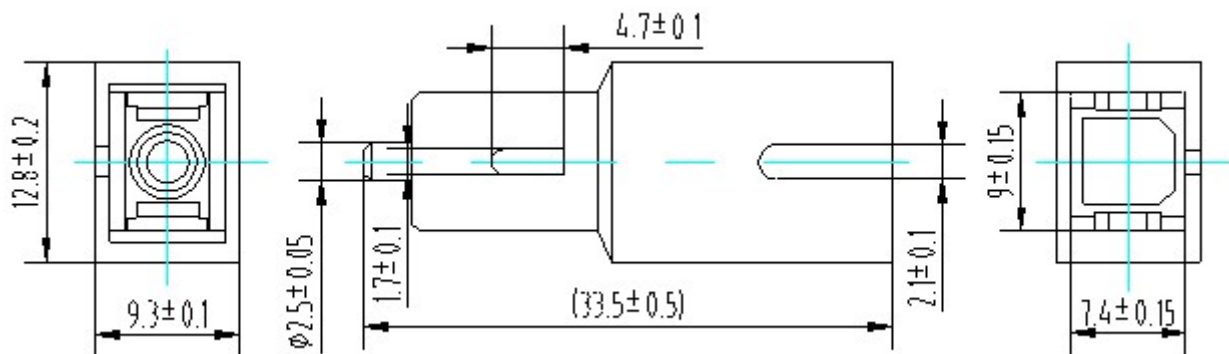
PARAMETER	SPECIFICATION	UNIT
Operating Temperature	-25 ÷ +65	°C
Operating Humidity	5 ÷ 95	%Rh
Storage Temperature	-40 ÷ +70	°C
Storage Humidity	5 ÷ 95	%Rh

# STANDARD PACKAGING

Information on the SC Reflector housing

- Reflect Wavelengths
- Manufacturer code + Serial Number

# TECHNICAL DRAWINGS



All components of the reflector are RoHS and REACH compliant.

The reflector plastic parts are UL94.V0 except for the dust caps that are UL94.V1.

# END OF SPECIFICATION

