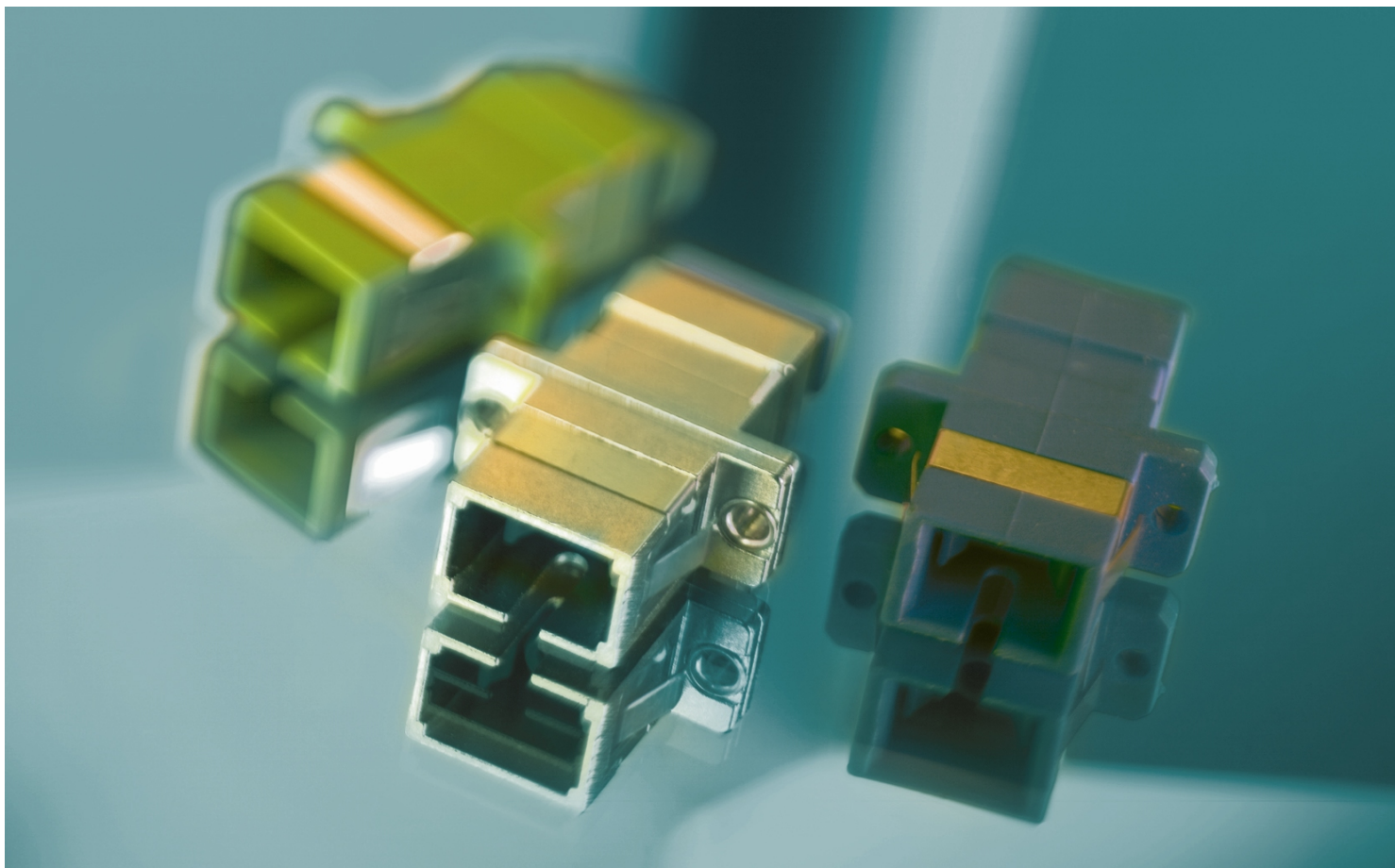
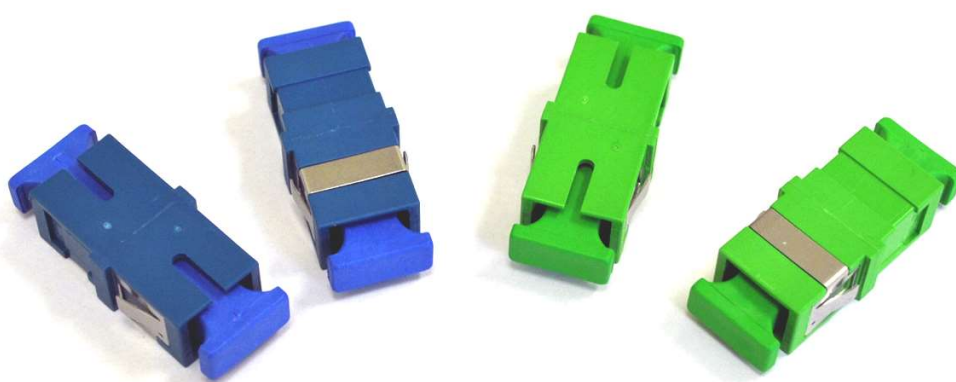


SC Simplex Flangeless Adapter



T E C H N I C A L S P E C I F I C A T I O N



SDE
NETWORK



Spec. N° AD-26-01.004

GENERAL

This specification covers the requirement of the SC Simplex Flangeless adapters for SM and MM applications.

MODELS AVAILABLE

The SC Simplex Flangeless plastic adapter can be produced in the following standard colours:

- Beige Ral 1013.
- Blue Ral 5015.
- Light Green Ral 6018.

The SC Simplex Flangeless plastic adapters have no logo on the external housing.

The straight alignment sleeves are available as:

- Zirconia (for SM applications).
- High Quality Phosphor Bronze (for SM applications).
- Standard Phosphor Bronze (for MM applications).

OPTICAL CHARACTERISTICS

Typical Insertion Loss [dB]

Adapter Type	SM at 1310 nm		MM at 850 nm
	Zirconia Sleeve	High Quality Phosphor Bronze Sleeve	Standard Phosphor Bronze Sleeve
SC PC	0.08	0.12	0.10
SC APC	0.10	-	-



M E C H A N I C A L C H A R A C T E R I S T I C S

- Tensile strength of welding (Plastic Adapter Only) > 100 N
- Connector / Adapter withdraw force > 100 N
- Insertion loss variation during withdraw force test < 0.20 dB
- Insertion loss variation after 500 connections < 0.10 dB

M A T E R I A L S

Component	Material
External housing plastic	PBT 20% FRP
Internal housing	PBT 20% FRP
Mount Plate	Stainless Steel
Dust cap	PBT 20% FRP
Sleeve	Zirconia or Phosphor Bronze

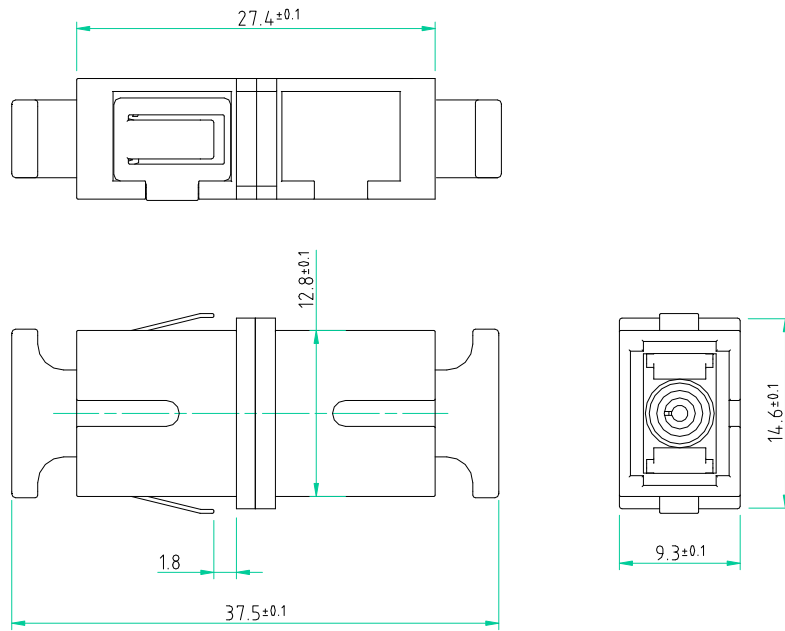
E N V I R O N M E N T A L S P E C I F I C A T I O N S

	min	max
Operating Temperature [°C]	-25	+70
Storage Temperature [°C]	-40	+85

P A C K A G I N G

Each adapter is packaged as standard in units of 50 pieces, in plastic blisters without logo or any other company markings. Single packaging solutions or different numerations are available on request.

SC Simplex Plastic Flangeless Adapter



R E C O M M E N D E D P A N E L
D I M E N S I O N S

Model	Panel Hole	Panel Thickness
SC Simplex Flangeless Adapter		

E N D O F S P E C I F I C A T I O N

