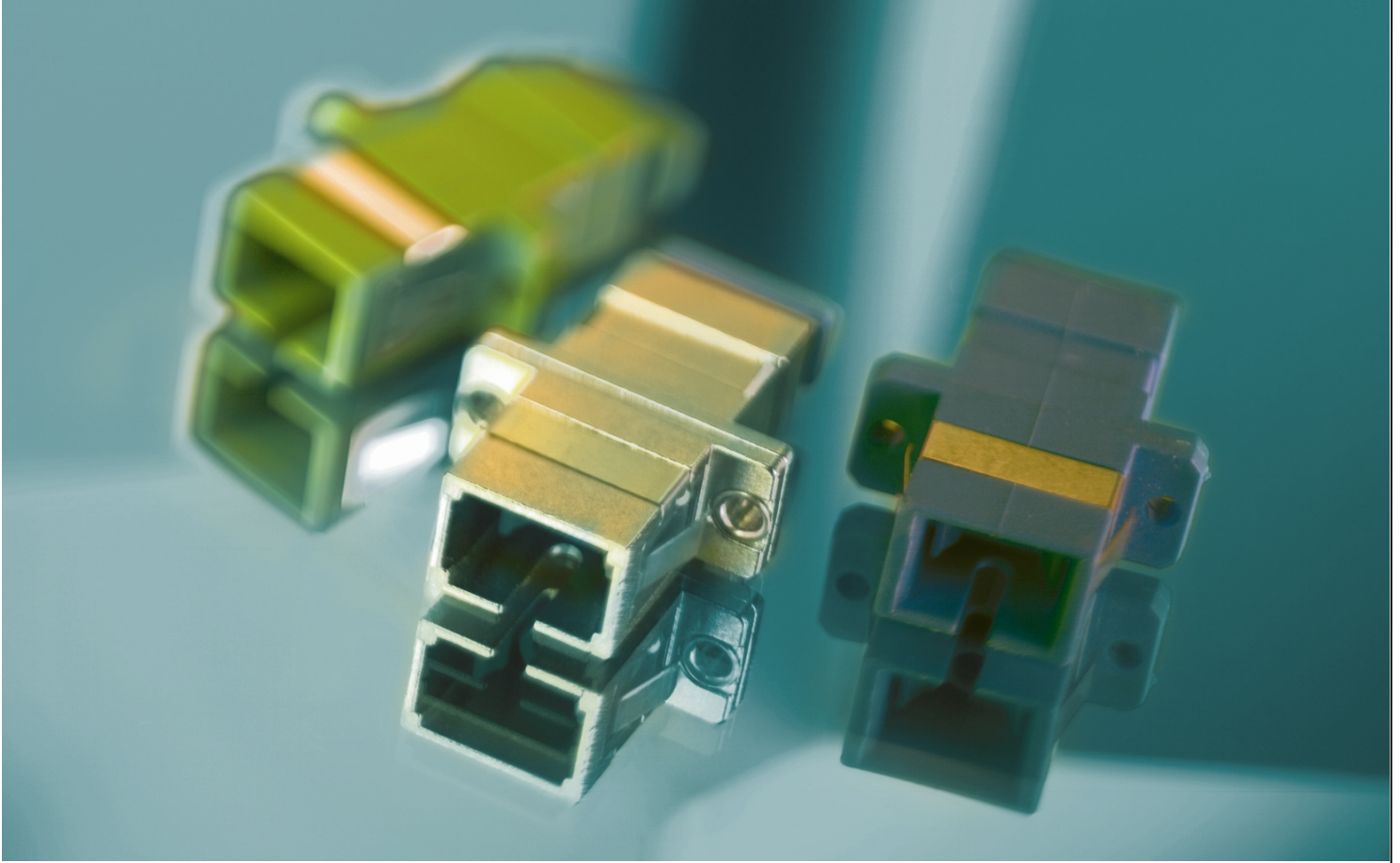
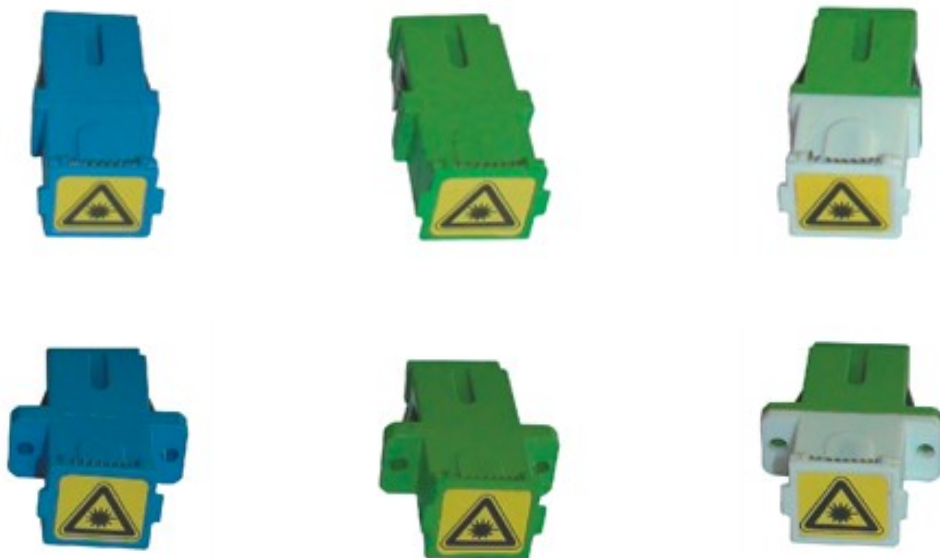


# SC Simplex Adapter with Shutter



## TECHNICAL SPECIFICATION



**SDE**  
NETWORK



Spec. N° AD-26SHUT-01.001

## GENERAL

This specification covers the requirement of the SC Simplex Flangeless adapters with Shutter for SM and MM applications.

## MODELS AVAILABLE

The SC Simplex Flangeless plastic adapter can be produced in the following standard colours:

- Blue Ral 5015.
- Green Ral 6018.

The SC Simplex adapters with shutter has a yellow warning laser label on the front of the shutter and no logo on the external housing.

The straight alignment sleeves are available in :

- Zirconia and Zirconia Low loss
- High Quality Phosphor Bronze for SM applications and Phosphor Bronze for MM applications

## OPTICAL CHARACTERISTICS

**Typical / Maximum Insertion Loss [dB] – IEC 8 measures average**

Adapter Type	SM at 1310 nm			MM at 850 nm
	Zirconia Low Loss	Zirconia	High Quality Phosphor Bronze	Phosphor Bronze
SC PC	0.03	0.08	0.15	0.10
SC APC	0.05	0.12	-	-

## M E C H A N I C A L C H A R A C T E R I S T I C S

- Connector / Adapter withdrawal force > 80 N
- Insertion loss variation during withdrawal force test < 0.20 dB
- Insertion loss variation after 500 connections < 0.10 dB

## M A T E R I A L S

Component	Material
External housing	PBT 20% FRP
Shutter	PBT 20% FRP
Internal housing	PEI ULTEM
Mount Plate	Stainless Steel AISI 304
Shutter metal Spring	Stainless Steel AISI 304
Dust cap	PBT 20% FRP
Sleeve	Zirconia or Phosphor Bronze
Yellow laser label	Mylar

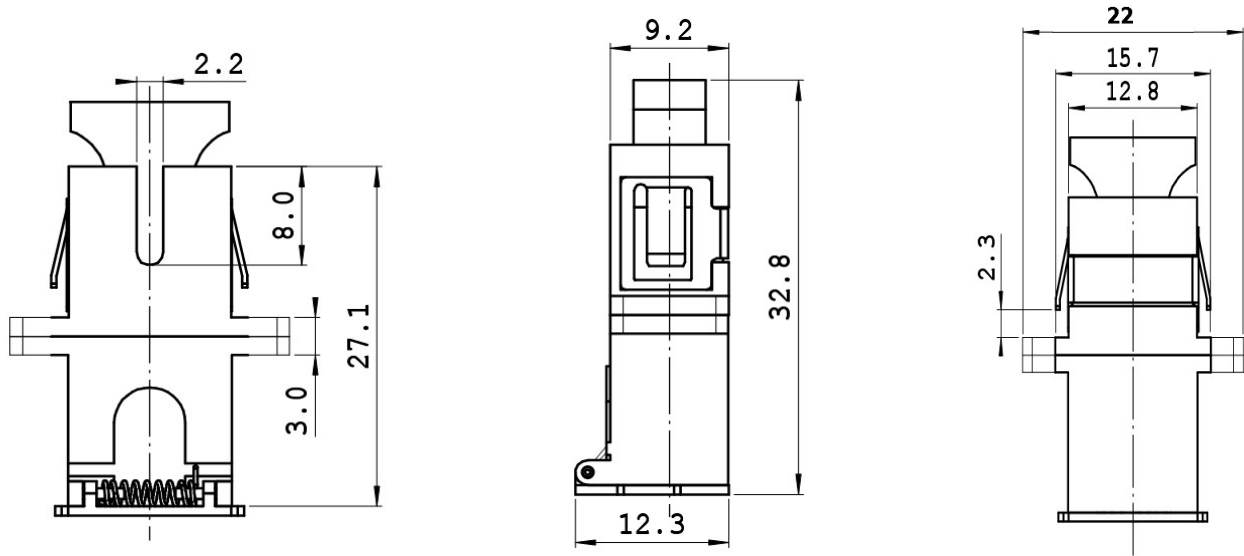
## E N V I R O N M E N T A L S P E C I F I C A T I O N S

	min	max
Operating Temperature [°C]	-25	+70
Storage Temperature [°C]	-40	+85

## P A C K A G I N G

Each adapter is packaged as standard in units of 50 pieces, in plastic blisters without logo or any other company marking. Single packaging solutions or different numerations are available on request.

SC Simplex Adapter with Shutter



RECOMMENDED PANEL DIMENSIONS

Model	Panel Hole
SC Simplex Adapter with Shutter	

END OF SPECIFICATION