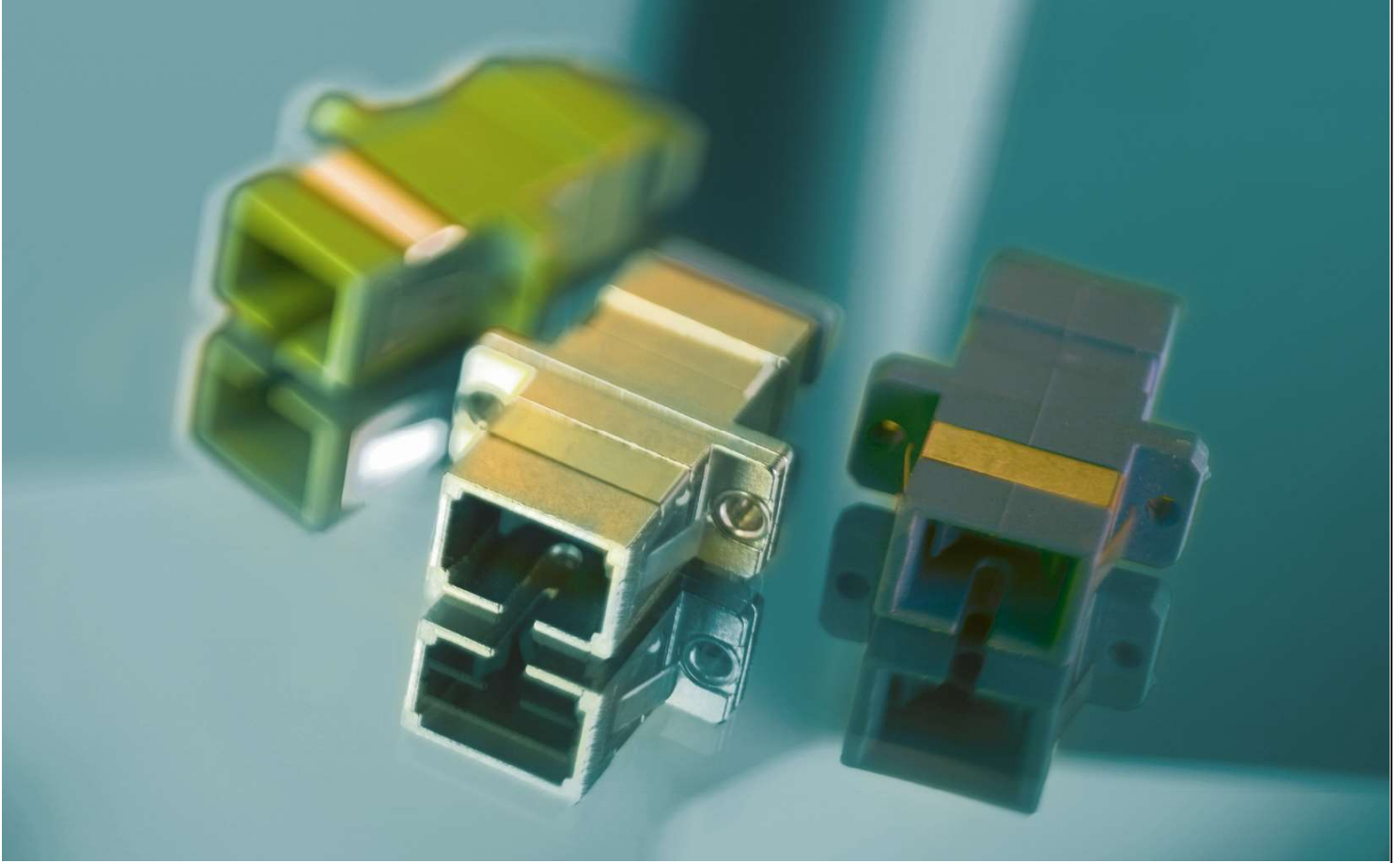


SC Simplex Adapter



T E C H N I C A L S P E C I F I C A T I O N



GENERAL

This specification covers the requirement of the SC Simplex adapters for SM and MM applications according IEC 60874-14-3 and IEC 61754-4.

MODELS AVAILABLE

The SC Simplex adapter is available with plastic or metal external housing.

The plastic adapter can be produced in the following standard colours:

- Beige RAL 1013.
- Blue RAL 5015.
- Green RAL 6018.
- Dark Green RAL 6029.
- Aqua RAL 6027. (black dust caps and blue internal housing)
- Erica Violet RAL 4003. (black dust caps)

Other colours are available on request.

The SC Simplex Plastic adapter can be supplied without logo (standard), with OPL Logo or, for reasonable quantities, with Customer Logo on the external housing.

The SC Simplex Metal adapters have no logo on the external housing.

The adapters can be supplied, on request, without metal clip.

The straight alignment sleeves are available as:

- Low Loss Zirconia (for SM applications).
- Standard Zirconia (for SM and MM applications).
- Standard Metal Sleeve (for MM applications).

O P T I C A L C H A R A C T E R I S T I C S

Typical Insertion Loss [dB]

Adapter Type	SM at 1310 nm		MM at 850 nm
	Low Loss Zirconia Sleeve	Standard Zirconia Sleeve	Standard Metal Sleeve
SC PC	0.10	0.15	0.10
SC APC	0.10	0.20	-

M E C H A N I C A L C H A R A C T E R I S T I C S

- Tensile strength of welding (Plastic Adapter Only) > 100 N
- Connector / Adapter withdraw force > 100 N
- Insertion loss variation during withdraw force test < 0.20 dB
- Insertion loss variation after 500 connections < 0.10 dB

M A T E R I A L S

Component	Material
External housing plastic	PBT 20% FRP
External housing metal	Nickel Plated Zinc Alloy
Internal housing	PBT 20% FRP
Dust cap	PBT 20% FRP
Mount plate	Stainless steel
Sleeve	Zirconia or Phosphor Bronze

All the adapter plastic parts are UL94.V0

E N V I R O N M E N T A L S P E C I F I C A T I O N S

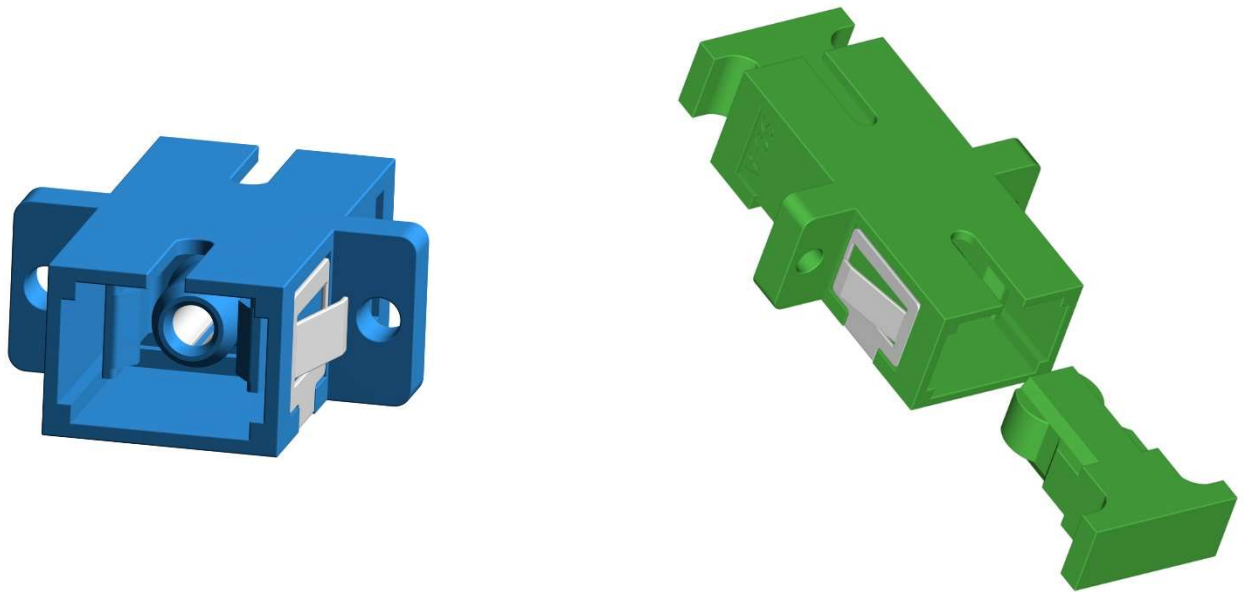
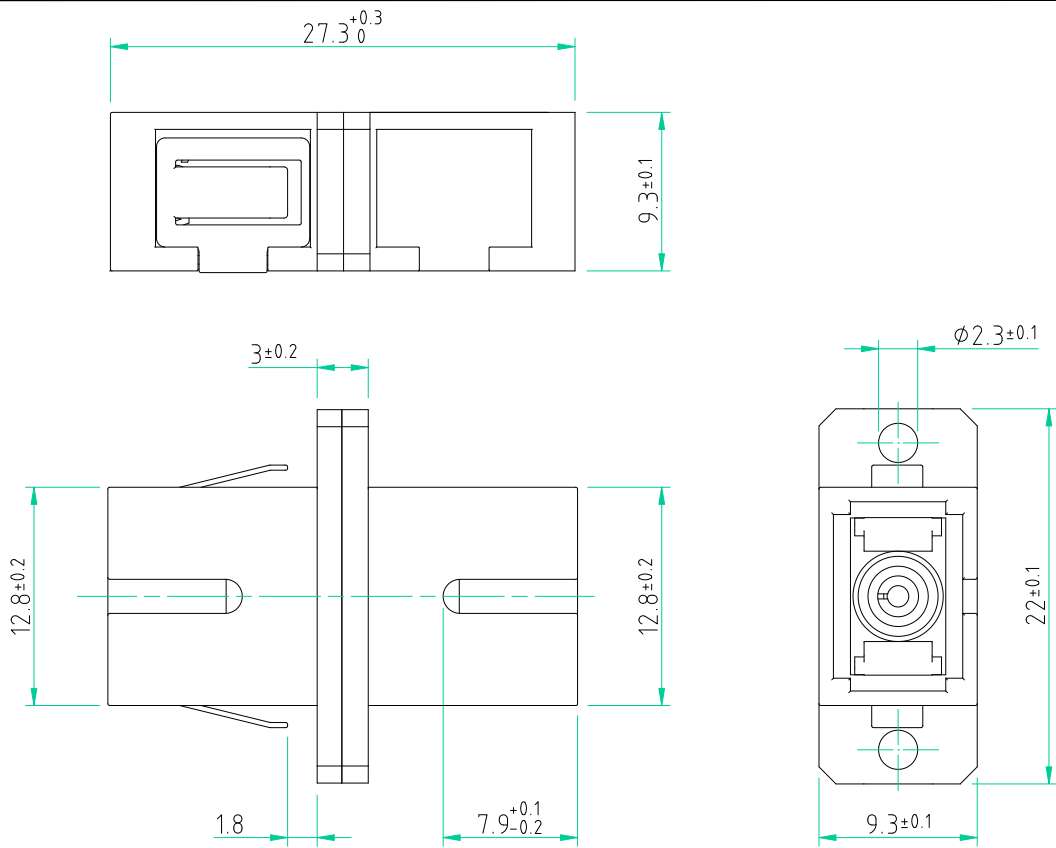
	min	max
Operating Temperature [°C]	-25	+70
Storage Temperature [°C]	-40	+85

P A C K A G I N G

Each adapter is packaged as standard in units of 100 pieces, in plastic bags with no logo or any other company markings. Single packaging solutions or different numerations are available on request.

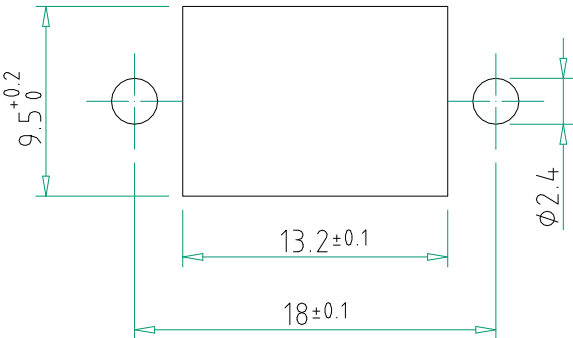
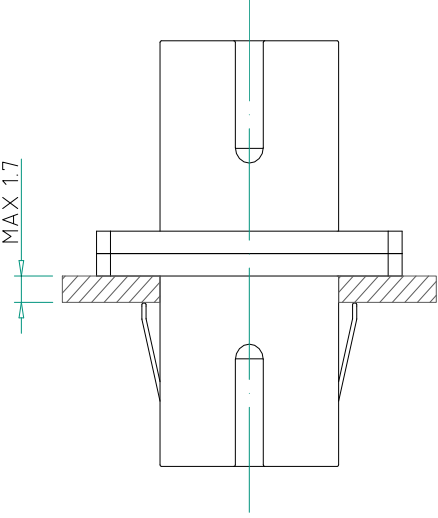
T E C H N I C A L D R A W I N G S

SC Simplex Plastic Adapter



R E C O M M E N D E D P A N E L
D I M E N S I O N S



Model	Panel Hole	Panel Thickness
SC Simplex Adapter		

E N D O F S P E C I F I C A T I O N

